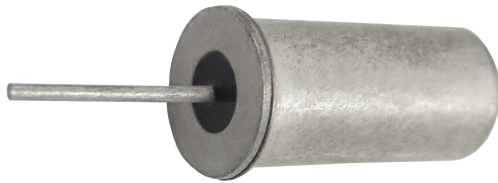


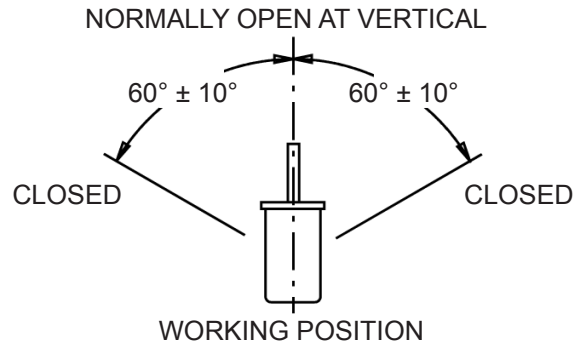
Part Number: CM1370-0
Tilt Switch
Product Data Sheet



PICTURE



OPERATION

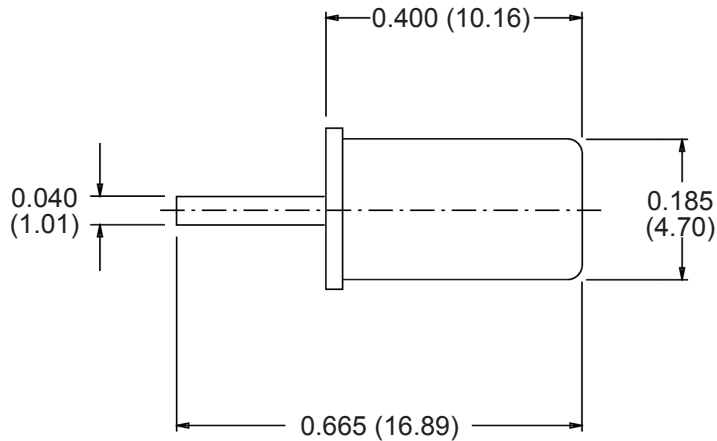
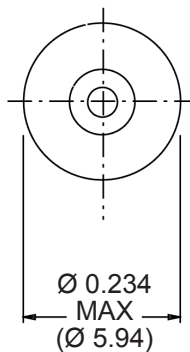


FEATURES

- Resistant to Ambient Environmental Conditions
- Case Material : Steel-Tin Plated
- Mechanical Stress Resistant

DIMENSIONS

Drawings not to scale.
 All dimensions in inches (mm) nominal.



SPECIFICATION

Contact Form / Style	Normally Open
Contact Voltage MAX	120 VAC
Contact Current MAX	0.25 A
Contact Capacity MAX	60 VA
Contact Resistance MAX	3 Ω
Operating Angle MAX	60° ± 10°
Operating Temperature	-37°C +100°C
Storage Temperature	-40°C +125°C

As part of the company policy of continued product improvement, specifications may change without notice. Our sales office will be pleased to help you with the latest information on this product range and the details of our full design and manufacturing service. All products are supplied to our standard conditions of sale unless otherwise agreed in writing.

Phone: (1) 973 777 6900

www.comus-intl.com

Fax: (1) 973 777 8405