

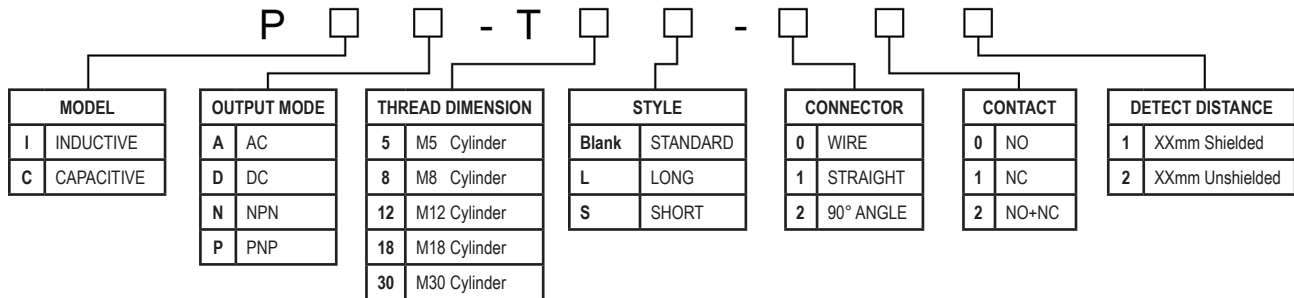
## M30 - Long Housing - Inductive Sensor



### Features:

- Inductive sensor, style: cylinder shape, diameter: 30mm.
- AC 2-wire (90-250V AC), DC 2-wire (10-30V DC), DC 3-wire (10-30V DC), DC 4-wire (10-30V DC), \*DC 2-wire (5V DC) also available
- Connection mode: 3/4 wire or 3/4 pin connector
- Mounting distance: shielded (10mm), unshielded (15mm)
- With LED operation indicate lamp, easily identifiable
- Brass chrome plated, proof of oil, water acid, alkaline
- Standard sensing object: ferrous metals
- Protection rate: IP67, water resistant
- Over-current protection
- Widely applied in measuring, Counting, Rpm measuring in mechanism, chemical, paper manufacture light industry, etc.

### ORDERING CODE INFORMATION



### ORDERING CODES

Model and Type	Output Type	Mounting Distance	Current Output	Power Supply	Connector Model
PIN-T30L-001	NPN NO	10mm SHIELDED	≤ 200mA	DC 10-30V	3 WIRE
PIN-T30L-011	NPN NC	10mm SHIELDED	≤ 200mA	DC 10-30V	3 WIRE
PIN-T30L-002	NPN NO	15mm UNSHIELDED	≤ 200mA	DC 10-30V	3 WIRE
PIN-T30L-012	NPN NC	15mm UNSHIELDED	≤ 200mA	DC 10-30V	3 WIRE
PIN-T30L-021	NPN NO+NC	10mm SHIELDED	≤ 200mA	DC 10-30V	4 WIRE
PIN-T30L-022	NPN NO+NC	15mm UNSHIELDED	≤ 200mA	DC 10-30V	4 WIRE
PIN-T30L-101	NPN NO	10mm SHIELDED	≤ 200mA	DC 10-30V	STRAIGHT PLUG IN CONNECTOR
PIN-T30L-111	NPN NC	10mm SHIELDED	≤ 200mA	DC 10-30V	STRAIGHT PLUG IN CONNECTOR
PIN-T30L-102	NPN NO	15mm UNSHIELDED	≤ 200mA	DC 10-30V	STRAIGHT PLUG IN CONNECTOR
PIN-T30L-112	NPN NC	15mm UNSHIELDED	≤ 200mA	DC 10-30V	STRAIGHT PLUG IN CONNECTOR
PIN-T30L-121	NPN NO+NC	10mm SHIELDED	≤ 200mA	DC 10-30V	STRAIGHT PLUG IN CONNECTOR
PIN-T30L-122	NPN NO+NC	15mm UNSHIELDED	≤ 200mA	DC 10-30V	STRAIGHT PLUG IN CONNECTOR
PIN-T30L-201	NPN NO	10mm SHIELDED	≤ 200mA	DC 10-30V	90 DEGREE PLUG IN CONNECTOR
PIN-T30L-211	NPN NC	10mm SHIELDED	≤ 200mA	DC 10-30V	90 DEGREE PLUG IN CONNECTOR
PIN-T30L-202	NPN NO	15mm UNSHIELDED	≤ 200mA	DC 10-30V	90 DEGREE PLUG IN CONNECTOR
PIN-T30L-212	NPN NC	15mm UNSHIELDED	≤ 200mA	DC 10-30V	90 DEGREE PLUG IN CONNECTOR
PIN-T30L-221	NPN NO+NC	10mm SHIELDED	≤ 200mA	DC 10-30V	90 DEGREE PLUG IN CONNECTOR
PIN-T30L-222	NPN NO+NC	15mm UNSHIELDED	≤ 200mA	DC 10-30V	90 DEGREE PLUG IN CONNECTOR
PIP-T30L-001	PNP NO	10mm SHIELDED	≤ 200mA	DC 10-30V	3 WIRE
PIP-T30L-011	PNP NC	10mm SHIELDED	≤ 200mA	DC 10-30V	3 WIRE
PIP-T30L-002	PNP NO	15mm UNSHIELDED	≤ 200mA	DC 10-30V	3 WIRE
PIP-T30L-012	PNP NC	15mm UNSHIELDED	≤ 200mA	DC 10-30V	3 WIRE
PIP-T30L-021	PNP NO+NC	10mm SHIELDED	≤ 200mA	DC 10-30V	4 WIRE
PIP-T30L-022	PNP NO+NC	15mm UNSHIELDED	≤ 200mA	DC 10-30V	4 WIRE
PIP-T30L-101	PNP NO	10mm SHIELDED	≤ 200mA	DC 10-30V	STRAIGHT PLUG IN CONNECTOR

As part of the company policy of continued product improvement, specifications may change without notice. Our sales office will be pleased to help you with the latest information on this product range and the details of our full design and manufacturing service. All products are supplied to our standard conditions of sale unless otherwise agreed in writing.

Phone: (1) 973 777 6900

www.comus-group.com

Fax: (1) 973 777 8405

Belgium: + 32 (0)12 390400 - Comus Europe (Assemtech) UK: +44 (0) 1255 862236 - Germany: +49 (0)911 923 15 943  
©2014 Copyright Comus International, 454 Allwood Road, Clifton NJ 07012, USA

An ISO 9001 Certified Company

## M30 - Long Housing - Inductive Sensor

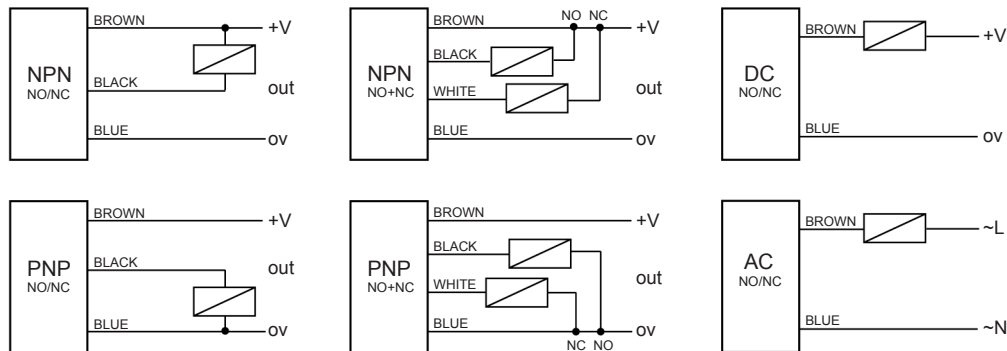
### ORDERING CODES

Model and Type	Output Type	Mounting Distance	Current Output	Power Supply	Connector Model
PIP-T30L-111	PNP NC	10mm SHIELDED	≤ 200mA	DC 10-30V	STRAIGHT PLUG IN CONNECTOR
PIP-T30L-102	PNP NO	15mm UNSHIELDED	≤ 200mA	DC 10-30V	STRAIGHT PLUG IN CONNECTOR
PIP-T30L-112	PNP NC	15mm UNSHIELDED	≤ 200mA	DC 10-30V	STRAIGHT PLUG IN CONNECTOR
PIP-T30L-121	PNP NO+NC	10mm SHIELDED	≤ 200mA	DC 10-30V	STRAIGHT PLUG IN CONNECTOR
PIP-T30L-122	PNP NO+NC	15mm UNSHIELDED	≤ 200mA	DC 10-30V	STRAIGHT PLUG IN CONNECTOR
PIP-T30L-201	PNP NO	10mm SHIELDED	≤ 200mA	DC 10-30V	90 DEGREE PLUG IN CONNECTOR
PIP-T30L-211	PNP NC	10mm SHIELDED	≤ 200mA	DC 10-30V	90 DEGREE PLUG IN CONNECTOR
PIP-T30L-202	PNP NO	15mm UNSHIELDED	≤ 200mA	DC 10-30V	90 DEGREE PLUG IN CONNECTOR
PIP-T30L-212	PNP NC	15mm UNSHIELDED	≤ 200mA	DC 10-30V	90 DEGREE PLUG IN CONNECTOR
PIP-T30L-221	PNP NO+NC	10mm SHIELDED	≤ 200mA	DC 10-30V	90 DEGREE PLUG IN CONNECTOR
PIP-T30L-222	PNP NO+NC	15mm UNSHIELDED	≤ 200mA	DC 10-30V	90 DEGREE PLUG IN CONNECTOR
PID-T30L-001	DC NO	10mm SHIELDED	≤ 200mA	DC 10-30V	2 WIRE
PID-T30L-002	DC NO	15mm UNSHIELDED	≤ 200mA	DC 10-30V	2 WIRE
PID-T30L-011	DC NC	10mm SHIELDED	≤ 200mA	DC 10-30V	2 WIRE
PID-T30L-012	DC NC	15mm UNSHIELDED	≤ 200mA	DC 10-30V	2 WIRE
PIA-T30L-001	AC NO	10mm SHIELDED	≤ 200mA	AC 90-250V	2 WIRE
PIA-T30L-002	AC NO	15mm UNSHIELDED	≤ 200mA	AC 90-250V	2 WIRE
PIA-T30L-011	AC NC	10mm SHIELDED	≤ 200mA	AC 90-250V	2 WIRE
PIA-T30L-012	AC NC	15mm UNSHIELDED	≤ 200mA	AC 90-250V	2 WIRE

### TECHNICAL SPECIFICATIONS

Property Project	Specific Parameter
Mounting Distance	10mm shielded / 15mm unshielded
Sensing Distance	0...9.0mm shielded / 0...13.5mm unshielded
Power Supply	DC 10-30V / AC 90-250V
Frequency	500Hz/400Hz (DC 3/2 wires)
Current Output (DC)	200mA
Ambient Temperature	-20°C-70°C
Against Polarity Reversal	YES
Short Circuit Protected	3 wires: YES / 2 wires: NO
IP Rating	IP67

### ELECTRICAL CONNECTION



As part of the company policy of continued product improvement, specifications may change without notice. Our sales office will be pleased to help you with the latest information on this product range and the details of our full design and manufacturing service. All products are supplied to our standard conditions of sale unless otherwise agreed in writing.

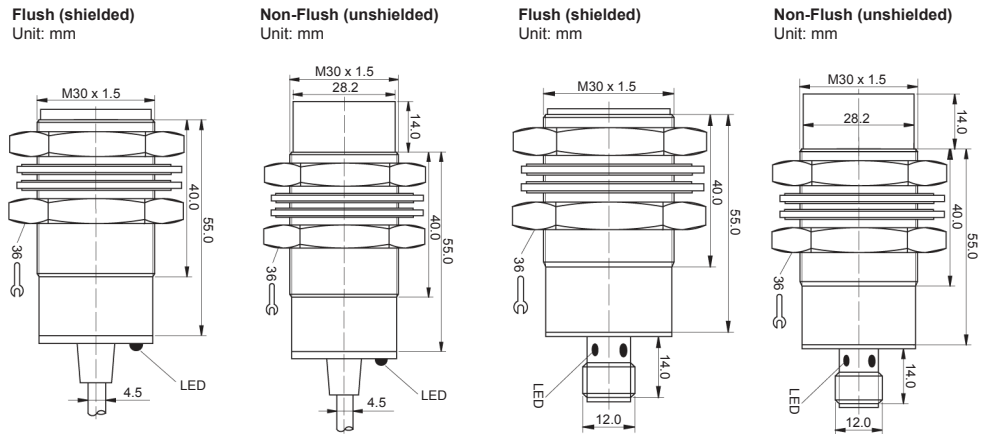
Phone: (1) 973 777 6900

[www.comus-group.com](http://www.comus-group.com)

Fax: (1) 973 777 8405

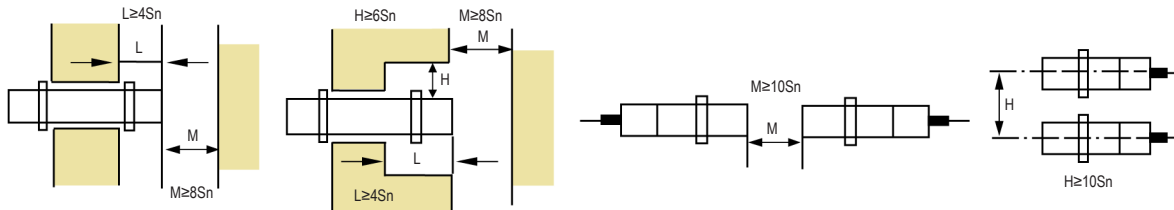
## M30 - Long Housing - Inductive Sensor

### PICTURE OF PRODUCT



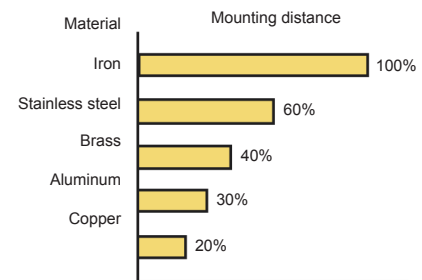
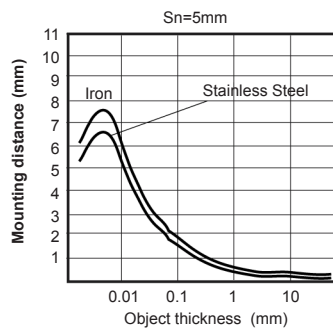
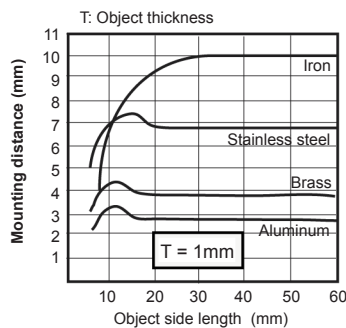
### INSTALLATION

If used in an area surrounded by metal, Install the proximity Sensor as follows. (Sn = Sensing distance)

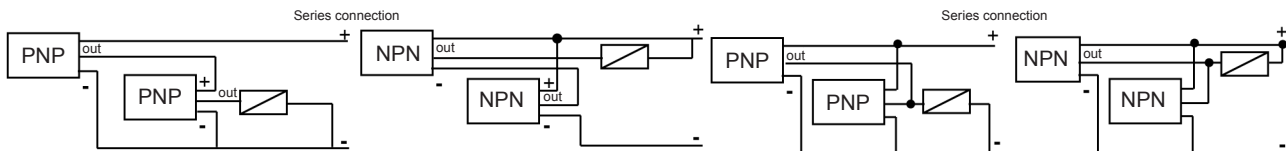


### INDUCTIVE PROXIMITY APPLICATION DIRECTION

- Set mounting distance equal to 80% of Sn.
- Set mounting distance roughly equal to 50% of Sn when sensor is used measuring mounting frequency or operating in high speed circumstances.
- Mounting distance will change depending on material (iron, stainless steel, brass, copper and aluminum).



d. Inductive Proximity series connection and parallel connection.



As part of the company policy of continued product improvement, specifications may change without notice. Our sales office will be pleased to help you with the latest information on this product range and the details of our full design and manufacturing service. All products are supplied to our standard conditions of sale unless otherwise agreed in writing.