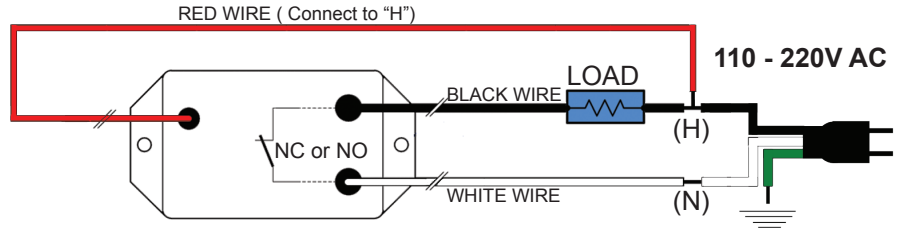


**Part Number: PD6011**  
**Omnidirectional Power Switch**  
**Product Data Sheet**

**PICTURE**

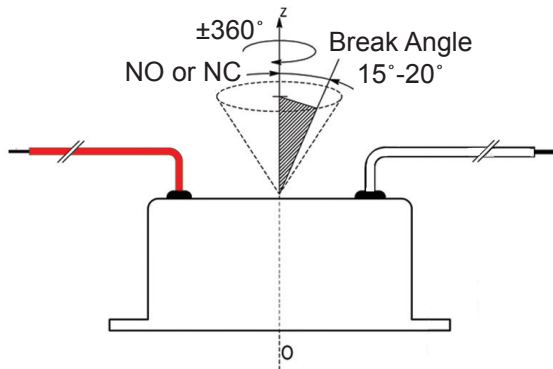


**WIRING DIAGRAM**



✓RoHS Compliant

**OPERATION**



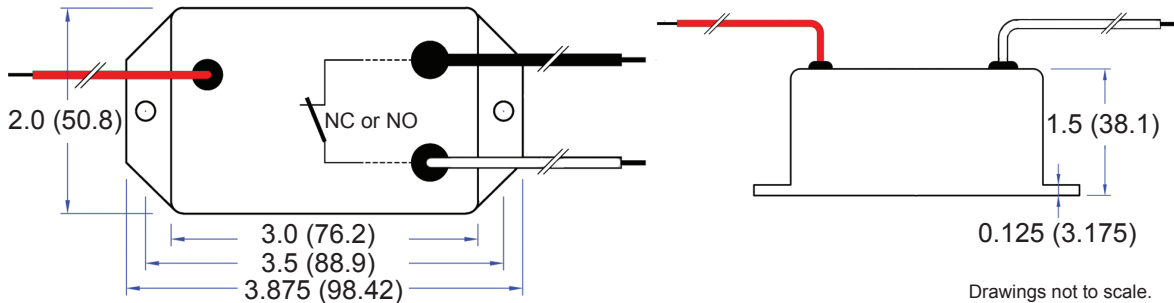
**FEATURES**

- Resistant to Ambient Environmental Conditions
- Construction : Thermo Resist Epoxy Encapsulated
- Limited Vibration Resistant
- High Power / High Load

**ORDERING INFORMATION**

<b>PD6011</b>	-	<b>NC</b>	-	<b>1</b>
Base Part		NC = Normally Closed		1 = 120 VAC
		NO = Normally Open		2 = 220 VAC

**DIMENSIONS**



Drawings not to scale.  
 All dimensions in inches (mm) nominal.

**SPECIFICATION**

Tip-Over Sensing	ON/OFF
Operation	Normally Closed or Normally Open
Sensitivity	Omnidirectional
Break Angle	15°-20° (±5°)
Operating Voltage	110VAC or 220VAC
MAX Current	15 Amps
Electrical Connection	Three Wires

As part of the company policy of continued product improvement, specifications may change without notice. Our sales office will be pleased to help you with the latest information on this product range and the details of our full design and manufacturing service. All products are supplied to our standard conditions of sale unless otherwise agreed in writing.

**Phone: (1) 973 777 6900**

**www.comus-intl.com**

**Fax: (1) 973 777 8405**