

Features

- * DIL-14 epoxy molded mercury wetted reed relays
- * High power capability, high reliability and life
- * Low and stable contact resistance during life, no bounce
- * Miniature, cost-effective switching solutions, high density mounting
- * Molded construction for automatic board processing & cleaning
- * All position mounting type available

Technical data (@ 25 °C)

	Conditions	MSS2			MVS2			unit
		1A05	1A12	1A24	1A05	1A12	1A24	
Input Data / Coil Data								
Nominal voltage		5	12	24	5	12	24	V
Coil resistance	Ohms (± 10%)	140	500	2150	105	500	2150	ohm
Must operate / Pull in V		3,75	9	18	3,75	9	18	V
Must release / Drop out V		0,5	1	2	0,5	1	2	V
Nominal input power		179	288	268	238	288	268	mW
Maximum voltage		10	20	40	10	20	40	V

Output Data/Contact Data

		1A	1A	1A	1A	1A	1A		
Contact form		1A	1A	1A	1A	1A	1A		
Max. switching power	Max DC/PeakAC Resistive	50							W
Max. switching voltage	Max DC/PeakAC Resistive	500							V
Max. switching current	Max DC/PeakAC Resistive	2							A
Max. carry current	Max DC/PeakAC Resistive	2			3				A
Max. contact resistance	50 mV, 10 mA	100							mOhm
Life expectancy	Signal level 1 V, 10 mA	500 x 10 ⁶			1000 x 10 ⁶				Ops. Min.
	50V, 1A	1 x 10 ⁶			2 x 10 ⁶				
	500V, 100 mA	5 x 10 ⁶			50 x 10 ⁶				
Contact material		Hg			Hg				
Hg content		16			40				mg

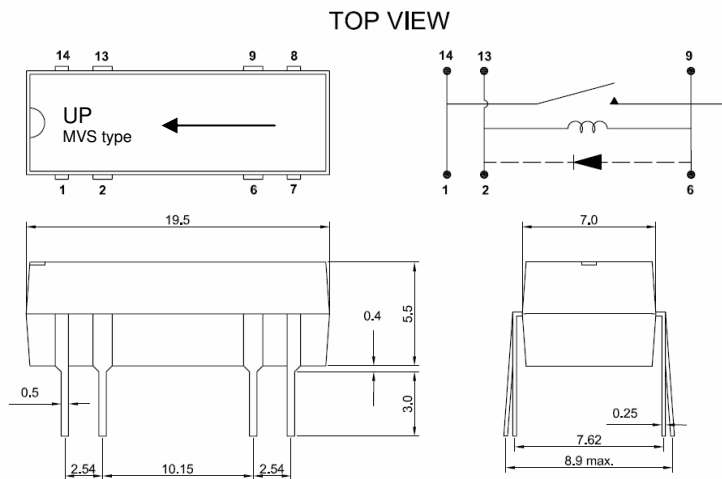
Technical data (@ 25 °C)

Relay parameters	Conditions	MIN	TYP	MAX	UNITS
Insulation resistance	between all isolated pins at 500 V, 25°C, 40% RH				
	MSS2 / 3585.1210 type	10 ¹⁰	10 ¹¹		Ohms
	MVS2 / 3582.7210 type	10 ¹¹	10 ¹²		
Capacitance	Across open contacts				
	MSS2 / 3585.1210 type		1.5		pF
	MVS2 / 3582.7210 type		0.7		
	Open contact to coil				
	MSS2 / 3585.1210 type		3.0		pF
	MVS2 / 3582.7210 type		1.2		
Dielectric strength	Between contacts				
	MSS2 / 3585.1210 type	1500			VDC / peakAC
	MVS2 / 3582.7210 type	2000			
	Contacts to coil	1000			VAC
Operate time	At nominal coil voltage, 10 Hz Sq.W.				
	MSS2 / 3585.1210 type			1.75	ms
	MVS2 / 3582.7210 type			2.50	
Release time	Zener-diode suppression				
	MSS2 / 3585.1210 type			1.50	ms
	MVS2 / 3582.7210 type			2.50	

Environmental Ratings

Operating temperature		-40		105	°C
Storage temperature		-35		75	°C
Shock resistance	1/2 sine wave duration 11 ms			30	g
Vibration resistance	10 to 500 Hz			10	g
Weight			2.4		grams
Humidity test	40°C, 93% RH, 21 days				
Terminal solderability	IEC 68-2-20 test Ta, method 1, solderbath temp 235°C, immersion time 2 sec				
Resistance to solder heat	IEC 68-2-20 test Tb, method 1A, solderbath temp 260°C, immersion time 10 sec				

Dimensions & Pin layout



Options and order information / Equivalent partnumbers

Series	Contact form	Nominal Coil Voltage	Options
MSS2	1A	05	A = electrostatic shield (pin 9)
MVS2		12	B = diode (pin 2/13-6, cathode pin 2)
		24	C = electrostatic shield + diode

Series	Nominal Coil Voltage	Options
3585.1210. (MSS2)	05	1 = without
	12	2 = electrostatic shield (pin 9)
3582.7210. (MVS2)	24	3 = with diode (pin 2/13-6, cathode pin 2)
		4 = electrostatic shield + diode