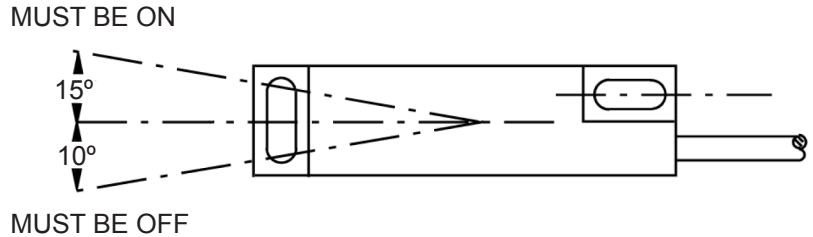


Part Number: S1039
Tilt Switch Module - Mercury Contact
Product Data Sheet

PICTURE



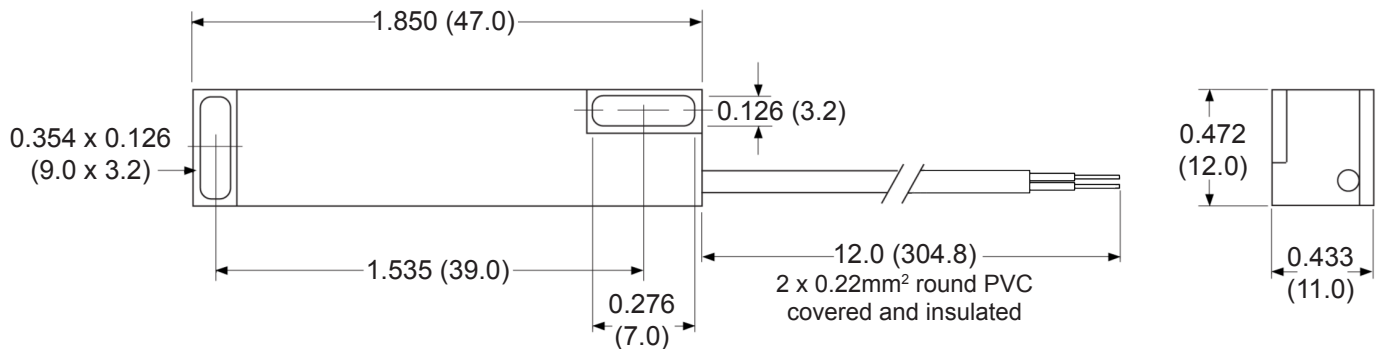
OPERATION



FEATURES

- Resistant to Ambient Environmental Conditions
- Housing Material : ABS Plastic Blue, Epoxy Filled

DIMENSIONS



Drawings not to scale.
 All dimensions in inches (mm) nominal.

SPECIFICATION

Switching Voltage	120 VAC MAX
Switching Current	0.25 A MAX
Switching Capacity (Resistive)	30 VA MAX
Differential Angle	10° MAX from horizontal
Contact Resistance	1.0 Ω MAX
Operating Temperature	-20° +70°C

As part of the company policy of continued product improvement, specifications may change without notice. Our sales office will be pleased to help you with the latest information on this product range and the details of our full design and manufacturing service. All products are supplied to our standard conditions of sale unless otherwise agreed in writing.

Phone: (1) 973 777 6900 **www.comus-intl.com** **Fax: (1) 973 777 8405**