

Solid State Relays

Datasheet WG M8 6D

Comus International Bvba
 Overhaamlaan 40
 3700 Tongeren, Belgium
 Phone: +32 12390400
 Fax: +32 12235754
 Email: info@comus.be
 www.comus.be



WG M8 6D 03 Z/R - LD

W x H x D 20 x 60,6 x 63



WG M8 6D 05 Z/R - LD

W x H x D 16,5 x 60,6 x 90,5



Technical data

WG M8 6D...	03 Z	03 R	05 Z	05 R
Input circuit				
Control voltage range	3...32 VDC			
Control current max	20 mA			
Turn-off voltage min..	1 VDC			
Input resistance	Constant current			
Output circuit				
Load voltage range	24 (Z-type) / 48 (R-type)...280 VAC			
Peak-off state voltage	600 V _{drm}			
Off-state leakage current	5 mA eff.			
Load current range	0,05...3 A		0,1...5 A	
Surge current 1 half wave	100 A _{peak}			
I ² t for fusing	50 A ² s			
On-state voltage	1,5 V _{peak}			
Off-state (static) dv/dt	1000 V/μs			
Snubber	47 Ω / 33 nF			
General data				
Turn-on time max.	11 ms	0,1 ms	11 ms	0,1 ms
Turn-off time max.	11 ms			
Line frequency range.	47...63 Hz			
Isolation volt. between input/output	4.000 V			
Isolation volt. between input-output/base	—			
Isolation resistance	50 MΩ			
Operation temperature	-20...+80 °C			

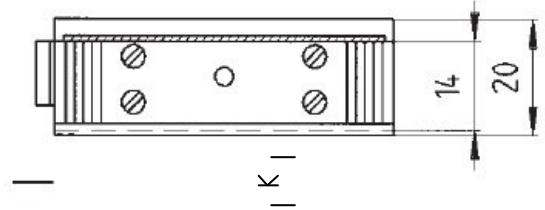
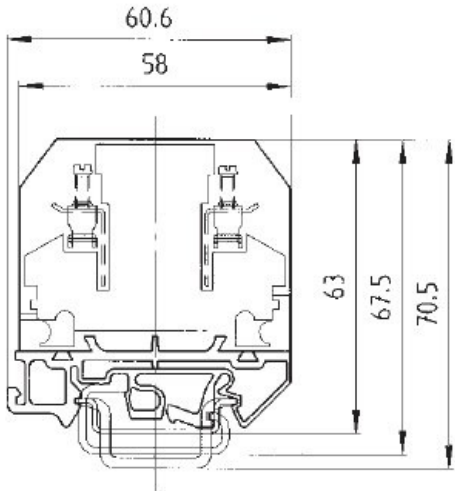
Solid State Relays

Datasheet WG M8 6D

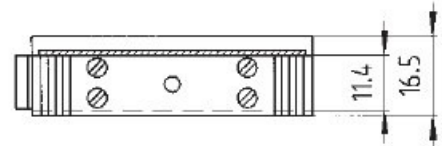
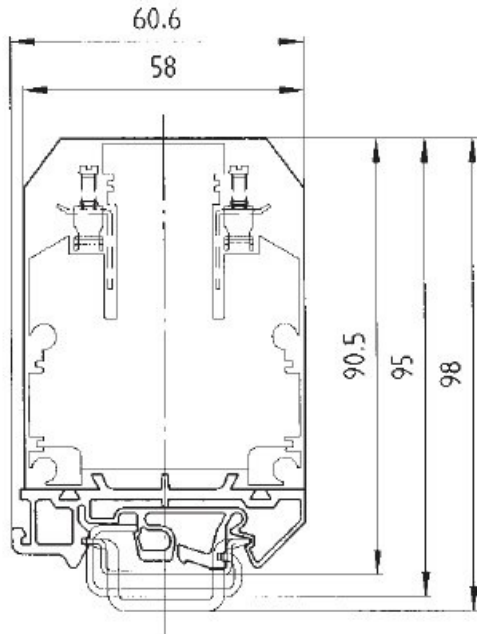
Comus International Bvba
 Overhaamlaan 40
 3700 Tongeren, Belgium
 Phone: +32 12390400
 Fax: +32 12235754
 Email: info@comus.be
 www.comus.be



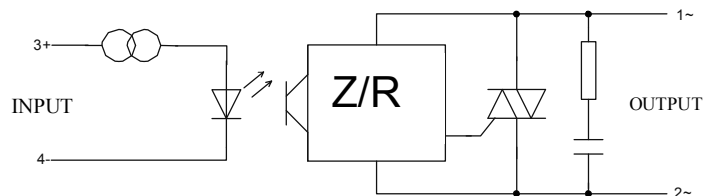
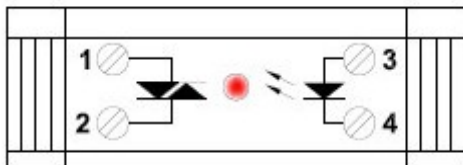
Dimensions in mm WG A8 6D 03 Z/R



Dimensions in mm WG A8 6D 05 Z/R

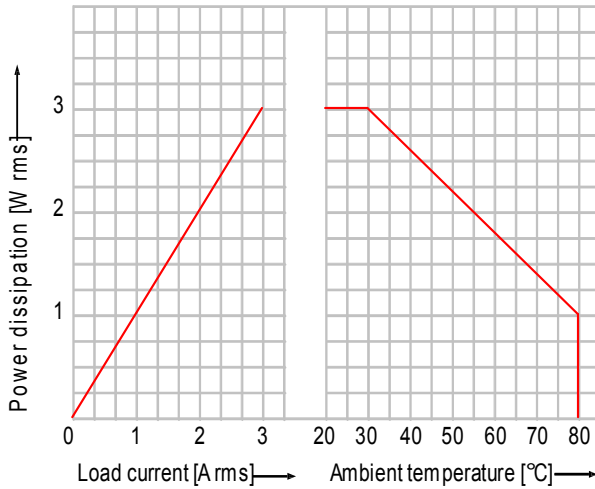


Circuit diagram

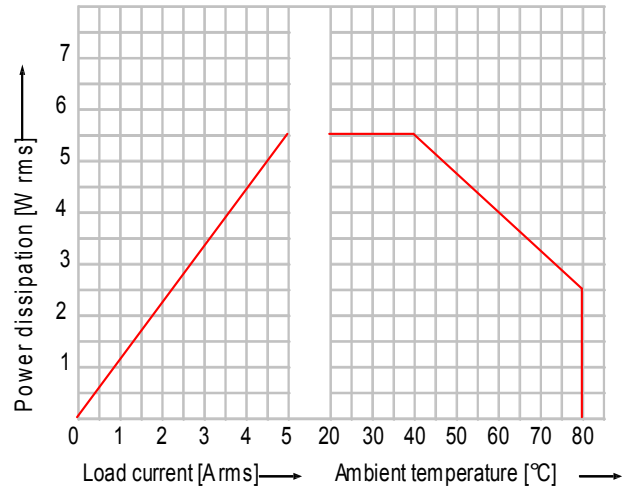


Derating-diagram

WG M8 6D 03



WG M8 6D 05



Housing specifications

Rated cross-section	4 mm ²
Wire range single core	0,14 - 6 mm ²
Wire range finely stranded	0,14 - 4 mm ²
Type of protection	IP20
Insulation strip length	7 mm
Mounting rail	35 DIN rail 7,5 and 15 mm high 32 G-rail
Labelling system	On request
Regulation, norms	DIN VDE 0611 Part 1 EN 60947-7-1

Ordering

