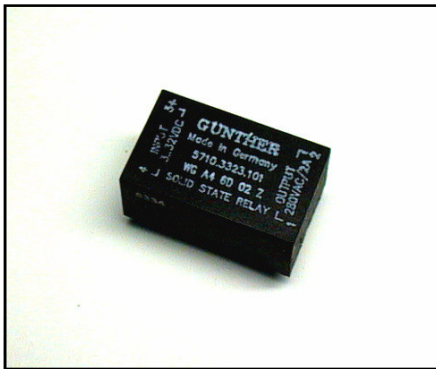


# Solid State Relays

## Datasheet WG A4 6D 02 Z

Comus International NV  
 Overhaamlaan 40  
 3700 Tongeren, Belgium  
 Phone: +32 12390400  
 Fax: +32 12235754  
 Email: info@comus.be  
 www.comus.be



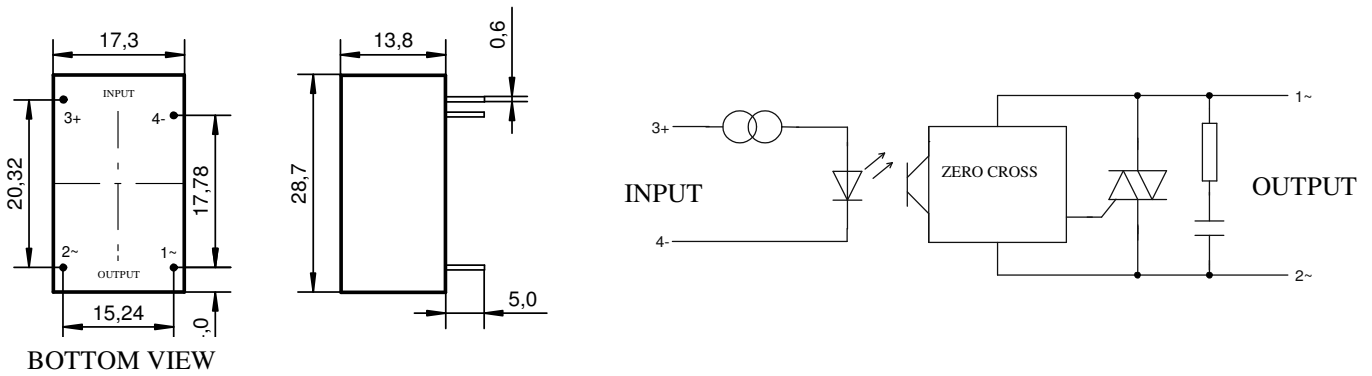
### Features

<b>Switching</b>	Zero cross turn-on or Zero cross turn-off
<b>Output</b>	Triac
<b>Input</b>	DC with constant current control
<b>Applications</b>	Resistive and inductive loads with $\cos\phi > 0.85$

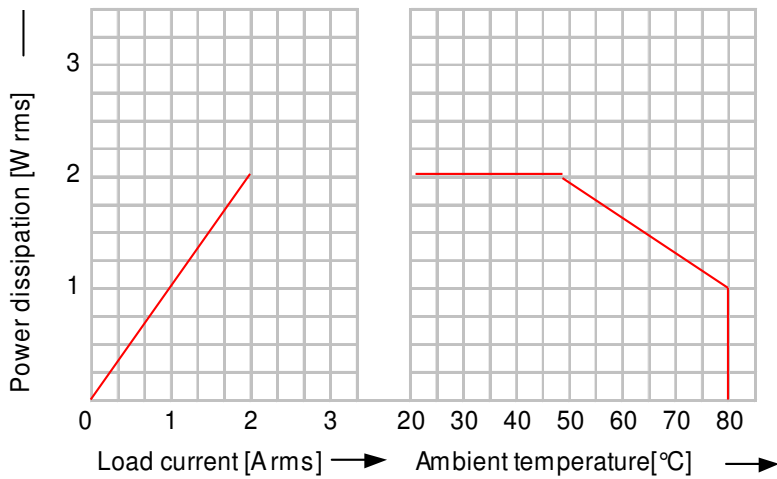
### Technical data

WG A4 6D...	02 Z
<b>Input circuit</b>	
Control voltage range	3...32 VDC
Control current max.	14 mA
Turn-off voltage min.	1 VDC
Input resistance	Constant current
<b>Output circuit</b>	
Load voltage range	24...280 VAC
Peak-off state voltage	600 V <sub>drm</sub>
Off-state leakage current	2 mA eff.
Load current range	0,01...2 A
Surge current 1 half wave	100 A <sub>peak</sub>
I <sup>2</sup> t for fusing	50 A <sup>2</sup> s
On-state Voltage	1,6 V <sub>peak</sub>
Off-state (static) dv/dt	200 V/μs
Snubber	100 Ω / 10 nF
<b>General data</b>	
Turn-on time max.	11 ms
Turn-off time max.	11 ms
Line frequency range.	47...63 Hz
Isolation volt. between input/output	4.000 V
Isolation volt. between input-output/base	—
Isolation resistance	50 MΩ
Operation temperature	-20...+80 °C
Recommended varistor	SIOV-S14 K230
Approvals	none

### Dimensions in mm & circuit diagram



### Derating-Diagrams



### Housing specifications

Weight	Ca. 10 g
Housing material	Glass filled polyester
Potting compound	Thermally conductive epoxy
Terminals	Solder pins