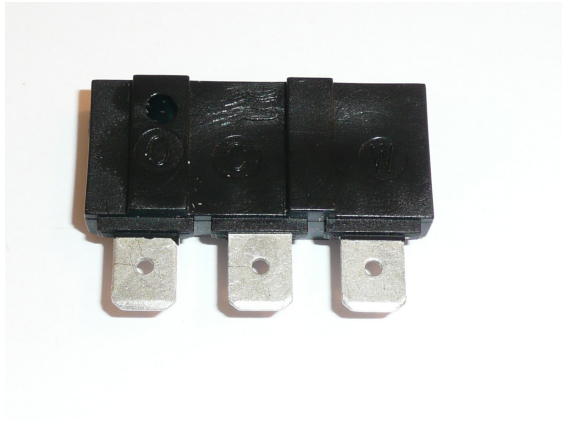


**Part Number : PRC-SP- 005**

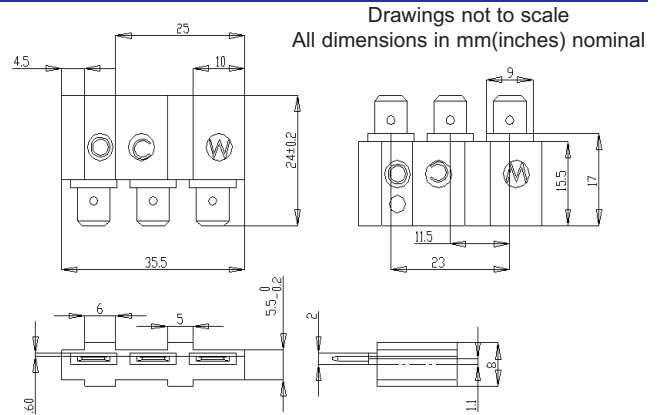
**Proximity Switch - Reed Switch based Over Moulded Changeover Switch**

**Product Data Sheet**

**Picture**



**Dimensions**



**Options**

- Available in various AT values.
- Custom made enclosures, cables and terminations on all our products.
- If you do not see what you need, just ask, as there is a strong possibility we can do it !

**Applications**

- Automotive Industry.
- Position and limit sensing.
- Linear actuators.
- Security system switch.

**SPECIFICATION**

Temperature Range (Celsius)	-20°C +110°C
Switching Power (Watts)	5
Switching Voltage (Volts)	125v AC / 175v DC
Switching Current (Amps)	280mA AC / 400mA DC
Breakdown Voltage (Volts)	200v Min
Contact Resistance (Ohms)	140 mΩ Max initial / 120 mΩ typical
Carry Current DC (Amps)	500 mA Max

**Did you know we also sell?**



**Rev. No.**

**Revision Note**

**Date**

**Signature**

1

Datasheet

03-05-11

ML



ISO 9001:2008  
Certificate No. FM21080

As part of the company policy of continued product improvement, specifications may change without notice. Our sales office will be pleased to help you with the latest information on this product range and the details of our full design and manufacturing service. All products are supplied to our standard conditions of sale unless otherwise agreed in writing.

Phone : +44 (0)1255 862236

www.assemtech.co.uk

Fax: +44 (0)1255 862014

©2011 Copyright Assemtech Europe Ltd, Unit 7, Rice Bridge Industrial Estate, Thorpe - Le - Soken, Essex, CO16 0HL, ENGLAND.  
USA: + 1 973 777 6900 - Belgium: + 32 (0)12 390400