

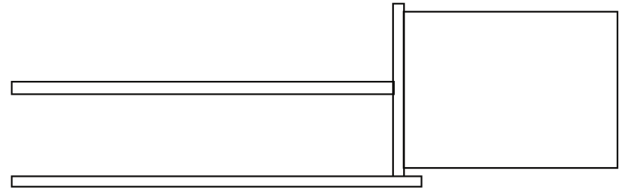
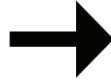
**Part Number: ASLS-2 (Alternate Part No: S1512)**  
**Shock / Acceleration Switch**  
**Product Data Sheet**

**PICTURE**



**OPERATION**

ACCELERATE THIS DIRECTION TO CLOSE CONTACTS



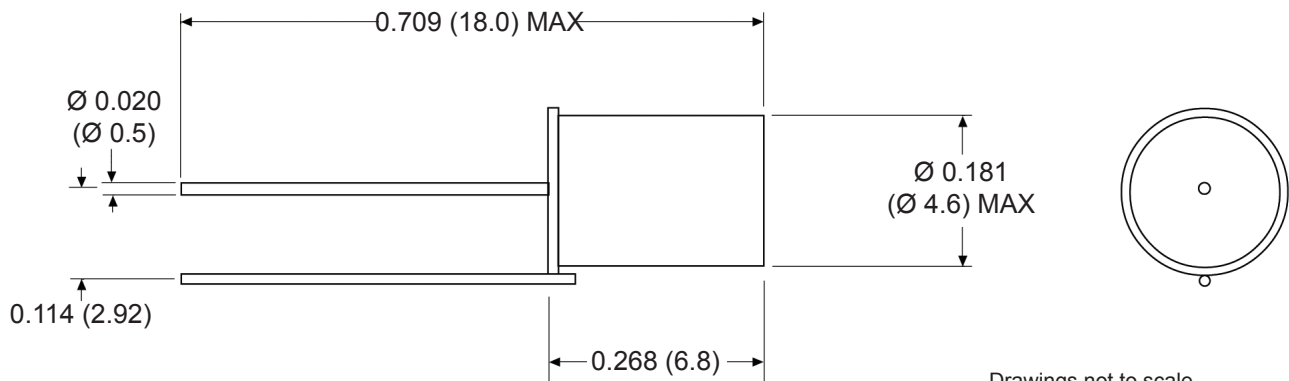
WORKING POSITION

**FEATURES**

- Resistant to Severe Environmental Conditions
- Case Material Steel-Gold Plated
- Hermetically Sealed & Inert Gas Filled

**✓RoHS Compliant**

**DIMENSIONS**



Drawings not to scale.  
 All dimensions in inches (mm) nominal.

**SPECIFICATION**

Contact Form / Style	Normally Open
Contact Capacity	24 VDC MAX, 0.25 A MAX, 5 VA. MAX
Contact Resistance	10 Ω MAX
Operating Temperature	-20° +85°C
Storage Temperature	-25° +90°C
Activation Level	2 - 4.9 G

As part of the company policy of continued product improvement, specifications may change without notice. Our sales office will be pleased to help you with the latest information on this product range and the details of our full design and manufacturing service. All products are supplied to our standard conditions of sale unless otherwise agreed in writing.

**Phone: (1) 973 777 6900**      **www.comus-intl.com**      **Fax: (1) 973 777 8405**