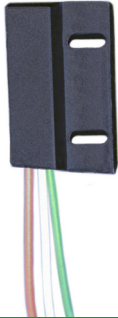


Part Number: PRC-SP-003 (Alternate Part No: S1833C)
Rectangular Proximity Switch - Change Over Contacts
Product Data Sheet

PICTURE



✓ **RoHS Compliant**

APPLICATIONS INCLUDE

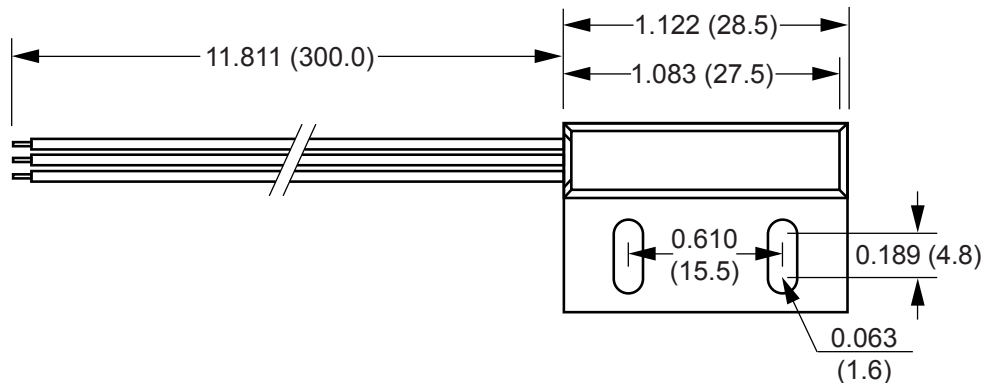
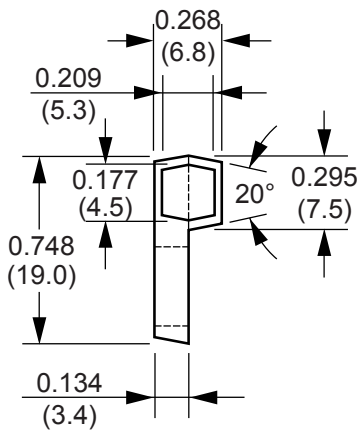
- Position and limit sensing
- Linear actuators
- Security system switch
- Door switch

FEATURES

- Also available with 2 core single cable.
- Normally open version available.
- Custom cable types, cable lengths, connectors or crimp terminals available.
- If you do not see what you need, just ask, as there is a strong possibility we can do it!

DIMENSIONS

Drawings not to scale.
 All dimensions in inches (mm) nominal.



SPECIFICATION

Contact Form / Style	Change-Over	
Switching Voltage	Max. Volts AC	175
Switching Current	Max. Amps	0.4
Switching Capacity (Resistive)	Max. W/VA	5
Switching Distance	Min. mm	10
Contact Resistance	Max. mOhms	120
Operating Temperature Range	Celsius	-40°C +115°C
Case Material	Glass Filled Nylon (30%)	
Cable	3 x 20 AWG PTFE insulated, silver plated copper White / Brown / Green	

As part of the company policy of continued product improvement, specifications may change without notice. Our sales office will be pleased to help you with the latest information on this product range and the details of our full design and manufacturing service. All products are supplied to our standard conditions of sale unless otherwise agreed in writing.

Phone: (1) 973 777 6900

www.comus-intl.com

Fax: (1) 973 777 8405

Belgium: + 32 (0)12 390400 - Comus Europe Ltd (Assemtech) UK: +44 (0) 1255 862236 - Germany: +49 (0)911 923 15 943 - Netherlands: +31(0)45 54 39 345 - India: +(91) (44) 43219090

©2015 Copyright Comus International, 454 Allwood Road, Clifton NJ 07012, USA