

Magnetic Contact Switches

Specification: MCS-138 Series

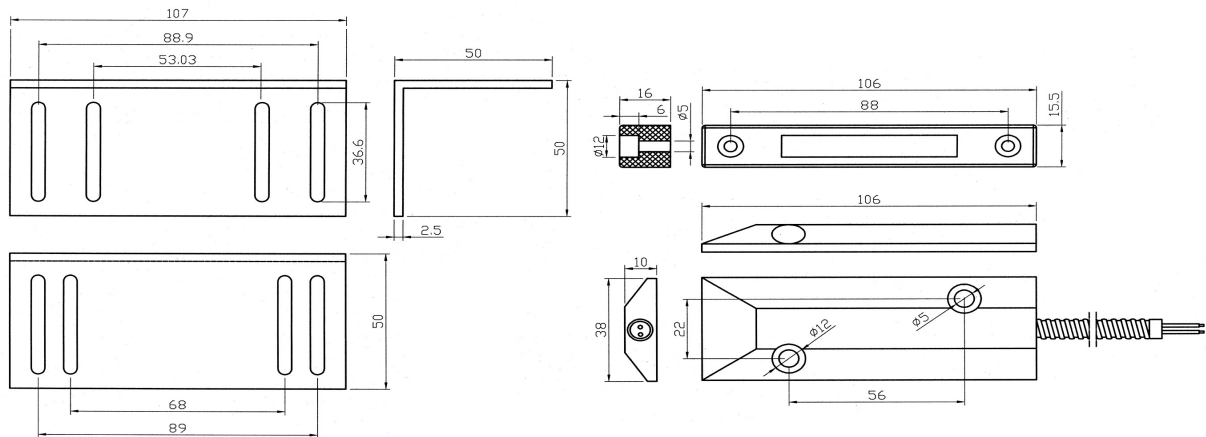
- *Cast Aluminium casting for harsh environments
- *Wire:#22AWG with 22" armoured cable
- *Longer leads available
- *Optional "L" bracket
- *Resistor, diode and supervisory loop available on request

Overhead Door Contact



CE

Dimensions (mm)



Order Information

Part Number	Loop Type	Reed Form	Closed Gap Inch (mm)	Departure Gap Inch (mm)	Max Initial Contact Resistance (Ohm)	Max Initial Contact rating (W)	Max Switching Voltage (VDC/VAC)	Max Switching Current (A)
MCS-138-1	Closed	N/O	2.95(75)	3.18 (80)	0.150	7.5	100	0.4
MCS-138-2	Closed	N/O	3½(90)	3.75 (95)	0.150	7.5	100	0.4
MCS-138-3	Open	N/C	2½(65)		0.150	3	30	0.2
MCS-138-4	Closed & Open	SPDT	2½(65)		0.150	3	30	0.2
MCS-138-5	DPDT	2SPDT	2½(65)		0.150	3	30	0.2



ISO 9001:2008
Certificate No. FM21080

As part of the company policy of continued product improvement, specifications may change without notice. Our sales office will be pleased to help you with the latest information on this product range and the details of our full design and manufacturing service. All products are supplied to our standard conditions of sale unless otherwise agreed in writing.

Phone : +44 (0)1255 862236

www.comus-intl.com

Fax: +44 (0)1255 862014

©2015 Copyright Comus Europe Ltd, Unit 7, Rice Bridge Industrial Estate, Thorpe - Le - Soken, Essex, CO16 0HL, ENGLAND.
USA: + 1 973 777 6900 - Belgium: + 32 (0)12 390400 - France: + 33 (0) 1 43 96 86 10