

Part Number: PSA 240/30 (Alternate Part No: S1366)
Proximity Switch - Reed Switch based
Rectangular - Normally Open Contacts - Suggested Magnet: PSM

PICTURE



✓RoHS Compliant

APPLICATIONS INCLUDE

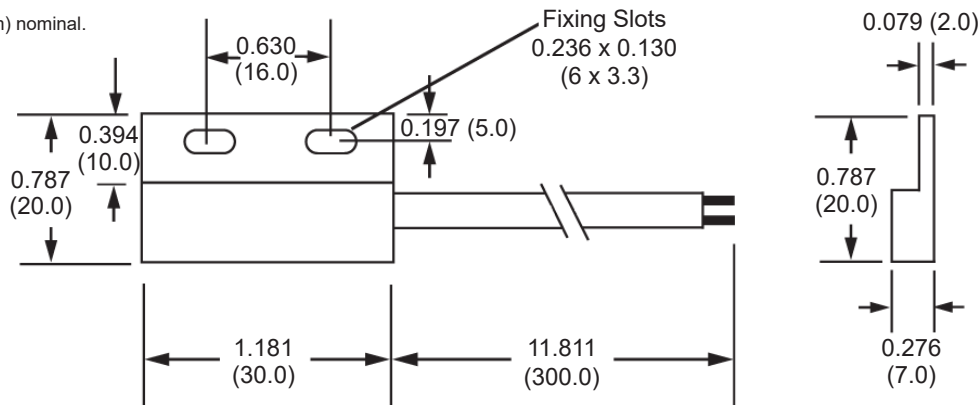
- Position and limit sensing
- Linear actuators
- Security system switch
- Door Switch

OPTIONS

- Color: Standard = Black housing / Black wire. Also available Blue = Blue housing / Grey wire.
- Cable entry: Standard = Right hand entry. Also available Left hand entry.
- Custom cable lengths, strip lengths, cable types, terminations.
- If you do not see what you need, just ask, as there is a strong possibility we can do it !
- Device is intended to be mounted in an enclosure under UL recognition.

DIMENSIONS

Drawings not to scale.
 All dimensions in inches (mm) nominal.



SPECIFICATION

| | |
|--------------------------------|---|
| Contact Form / Style | Normally Open |
| Switching Capacity (Resistive) | 10 W/VA Max |
| Switching Voltage | 400 VAC Max |
| Switching Current | 0.5 A Max |
| Carry Current | 1.0 A Max |
| Breakdown Voltage | 600 VDC Min |
| Contact Resistance | 150 mOhms Max |
| Switching Distance | 8 mm Min |
| Operating Temperature Range | -20°C +85°C |
| Storage Temperature Range | -25°C +90°C |
| Case Material | Black Nylon 66 |
| Cable | 2 x Round 0.14mm ² PVC covered Black and Insulated Brown / White |

As part of the company policy of continued product improvement, specifications may change without notice. Our sales office will be pleased to help you with the latest information on this product range and the details of our full design and manufacturing service. All products are supplied to our standard conditions of sale unless otherwise agreed in writing.

Phone: (1) 973 777 6900

www.comus-intl.com

Fax: (1) 973 777 8405

Belgium: + 32 (0)12 390400 - Comus Europe Ltd (Assemtech) UK: +44 (0) 1255 862236 - Germany: +49 (0)911 923 15 943 - Netherlands: +31(0)45 54 39 345 - India: +(91) (44) 43219090

©2020 Copyright Comus International, 454 Allwood Road, Clifton NJ 07012, USA